



Wall Mounted Emergency Eyewash

Eyewash stations are designed to flush the eye and face area only. Emergency eye wash is used to drench or flush the eyes with water when dust, irritants, or chemicals enter the eye. Wall mounted Eyewash station easier to install in locations where workers are handling injurious corrosive or caustic chemicals. It must be accessible within 10-seconds of hazard, approximately 55-feet.

Accessories



ABS EYE BOWL



STAINLESS STEEL EYE BOWL



HAND PUSH BOARD



EYEWASH SPRAY HEAD

Adjustable screw for water flow



Wall Mounted ABS Eyewash

VAL-EYE-WA

*Stainless steel 201 with chemical resistant yellow color coating body

FEATURES

- Pipe & Fittings : Stainless steel 201 with chemical resistant yellow colour coating
- Eyewash Bowl : 250mm - ABS
- Eye spray head: Chemical resistant PP, built-in with stainless steel filter for impurity clearance.
- Eye Spray with anti dust cap & flow regulator
- Hand push board : ABS
- Ball Valve: 1/2" eye wash ball valve with push board.
- Water Inlet : G 1/2"
- Waste Outlet : RP 1"
- Water pressure : 0.2Mpa - 0.6Mpa

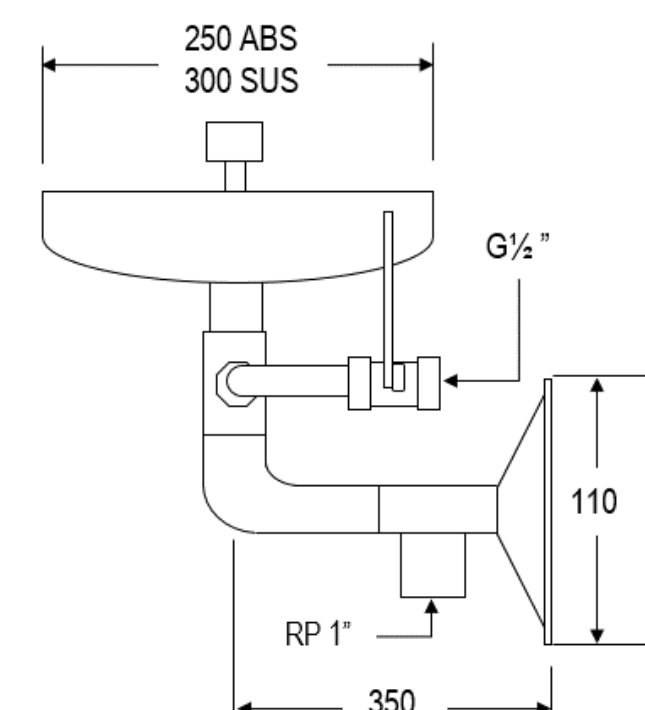
Wall Mounted Stainless Steel Eyewash

VAL-EYE-WS

*Stainless steel 201 with chemical resistant red color coating body

FEATURES

- Pipe & Fittings : Stainless steel 201 with chemical resistant yellow colour coating
- Eyewash Bowl : 300mm - stainless steel 304
- Eye spray head: Chemical resistant PP, built-in with stainless steel filter for impurity clearance.
- Eye Spray with anti dust cap & flow regulator
- Hand push board : ABS
- Ball Valve: 1/2" eye wash ball valve with push board.
- Water Inlet : G 1/2"
- Waste Outlet : RP 1"
- Water pressure : 0.2Mpa - 0.6Mpa



DIMENSION
mm



Accessories



ABS EYE BOWL

STAINLESS STEEL EYE BOWL



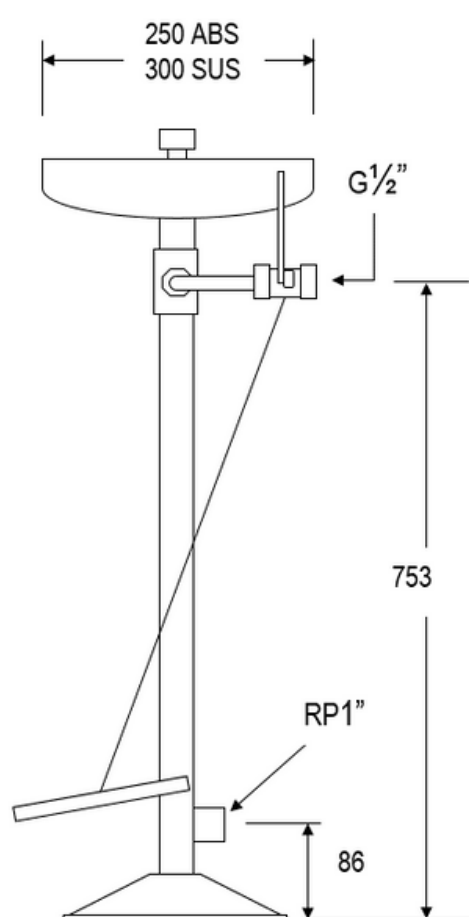
STAINLESS STEEL FOOT PEDAL



Adjustable screw for water flow



EYEWASH SPRAY HEAD



DIMENSION
mm

Floor Mounted Emergency Eyewash

INTRODUCTION

Emergency eye wash is used to drench or flush the eyes with water when dust, irritants, or chemicals enter the eye. Eyewash stations are designed to flush the eye and face area only. Eyewash station required in locations where workers are handling injurious corrosive or caustic chemicals. It must be accessible within 10-seconds of hazard, approximately 55-feet.



Floor Mounted ABS Emergency Eyewash

VAL-EYE-A

*Stainless steel 201 with chemical resistant red color coating body

FEATURES

- Pipe & Fittings : 42mm Stainless steel 201 with chemical resistant red color coating
- Eyewash Bowl : 250mm , ABS
- Eye spray head: Chemical resistant PP, built-in with stainless steel filter for impurity clearance.
- Eye Spray with anti dust cap & flow regulator
- Foot Pedal : Stainless steel pedal with epoxy powder coated.
- Hand push board : ABS
- Ball Valve: G 1/2" eye wash ball valve with push board.
- Water Inlet : G 1/2"
- Waste Outlet : RP1"
- Water pressure : 0.2Mpa – 0.6Mpa



Floor Mounted Stainless steel Emergency Eyewash

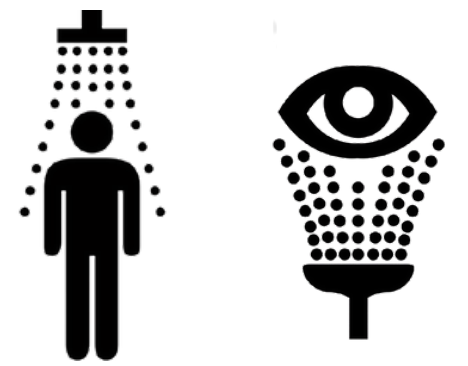
VAL-EYE-S

*Stainless steel 201 with chemical resistant red color coating body

FEATURES

- Pipe & Fittings : 42mm Stainless steel 201 with chemical resistant red colour coating
- Eyewash Bowl : 300mm - 304 stainless steel
- Eye spray head: Chemical resistant PP, built-in with stainless steel filter for impurity clearance.
- Eye Spray with anti dust cap & flow regulator
- Foot Pedal : Stainless steel pedal with epoxy powder coated.
- Hand push board : ABS
- Ball Valve: G 1/2" eye wash ball valve with push board.
- Water Inlet : G 1/2"
- Waste Outlet : RP1"
- Water pressure : 0.2Mpa – 0.6Mpa





Accessories



ABS SHOWER BOWL

STAINLESS STEEL SHOWER BOWL



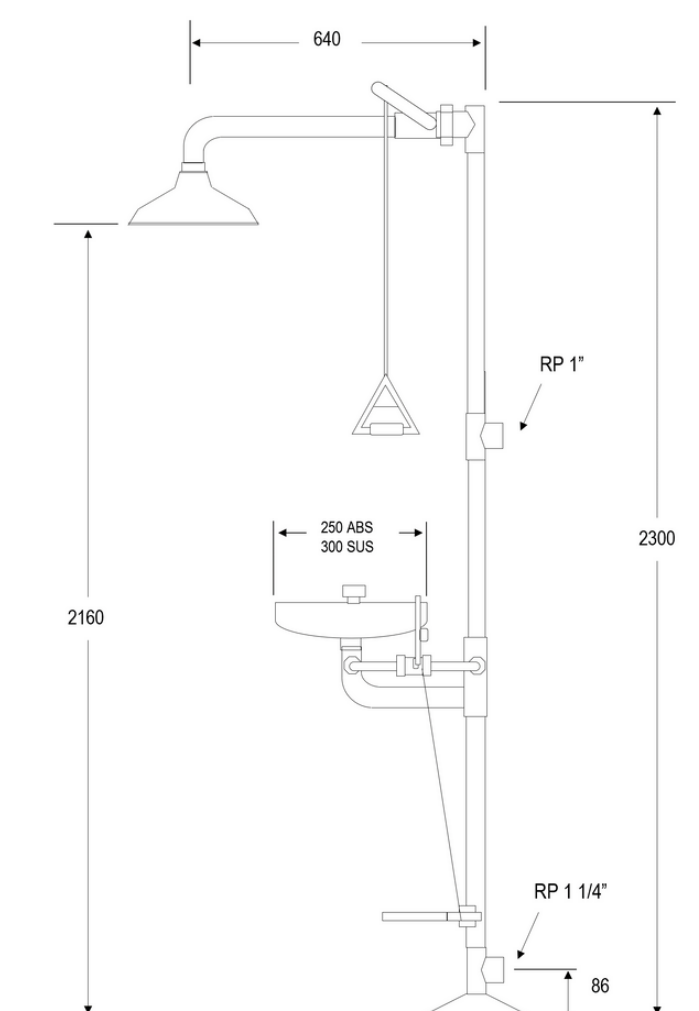
PULL BAR



HAND PUSH BOARD



SUPPORT WALL BRACKET



DIMENSION
mm



Floor Mounted Emergency Eyewash & Shower

INTRODUCTION

The worker may risk part or full body contact with a chemical. In these areas, an emergency shower may be more appropriate and eyewash stations are designed to flush the eye and face area only. Eyewash & shower station required in locations where workers are handling injurious corrosive or caustic chemicals. It must be accessible within 10-seconds of hazard, approximately 55-feet.



Floor Mounted ABS Combination Eyewash & Shower

VAL-SE-A-V2

*Stainless steel 301 with chemical resistant red color coating body

FEATURES

- Pipe & Fittings : 42mm Stainless steel 301 with chemical resistant red colour coating
- Shower Bowl : 250mm - ABS
- Eyewash Bowl : 250mm - ABS
- Eye spray head: Chemical resistant PP, built-in with stainless steel filter for impurity clearance.
- Eye Spray with anti dust cap & flow regulator
- Foot Pedal : Stainless steel pedal with epoxy powder coated.
- Hand push board : ABS
- Ball Valve: 1/2" eye wash ball valve with push board.
- Ball Valve: 1" shower with pull plate
- Water Inlet : RP 1"
- Waste Outlet : RP 1-1/4"
- Water pressure : 0.2Mpa - 0.6Mpa
- Complied with ANSI Z358.1 standard

Floor Mounted Stainless Steel Combination Eyewash & Shower

VAL-SE-S201-V2

*Stainless steel 301 with chemical resistant red color coating body

FEATURES

- Pipe & Fittings : 42mm Stainless steel 301 with chemical resistant red colour coating
- Shower Bowl : 300mm - 304 stainless steel
- Eyewash Bowl : 300mm - 304 stainless steel
- Eye spray head: Chemical resistant PP, built-in with stainless steel filter for impurity clearance.
- Eye Spray with anti dust cap & flow regulator
- Foot Pedal : Stainless steel pedal with epoxy powder coated.
- Hand push board : ABS
- Ball Valve: 1/2" eye wash ball valve with push board.
- Ball Valve: 1" shower with pull plate
- Water Inlet : RP 1"
- Waste Outlet : RP 1-1/4"
- Water pressure : 0.2Mpa - 0.6Mpa
- Complied with ANSI Z358.1 standard

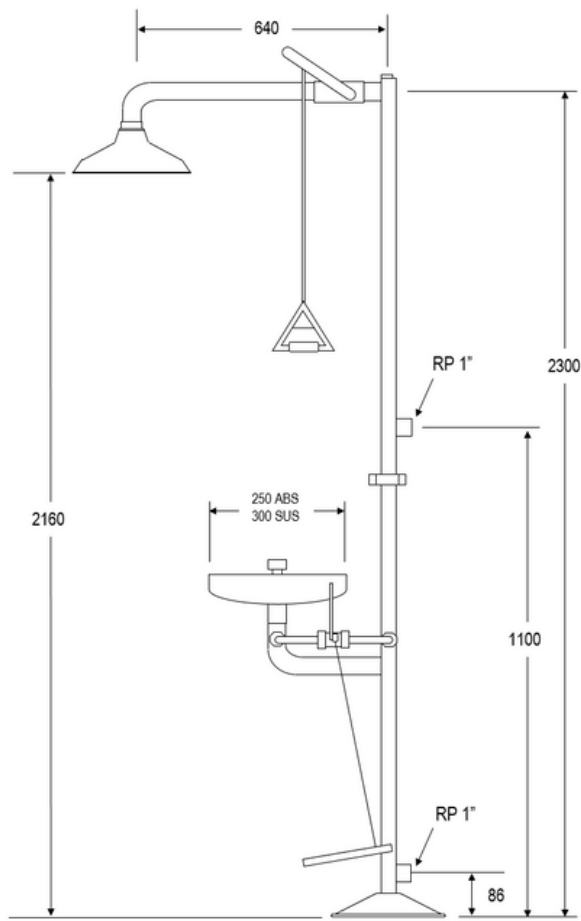


14

Floor Mounted Fully Stainless Steel Emergency Eyewash & Shower VAL-SE-S304

FEATURES

- Pipe & Fittings : 38mm stainless steel 304
- Shower Bowl : 300mm - 304 stainless steel
- Eyewash Bowl : 300mm - 304 stainless steel
- Eye spray head: Chemical resistant PP, built-in with stainless steel filter for impurity clearance.
- Eye Spray with anti dust cap & flow regulator
- Foot Pedal : Stainless steel pedal
- Ball Valve: G 1/2" eye wash ball valve with push board.
- Water Inlet : RP 1"
- Waste Outlet : RP1"
- Water pressure : 0.2Mpa - 0.6Mpa
- Complied with ANSI Z358.1 standard

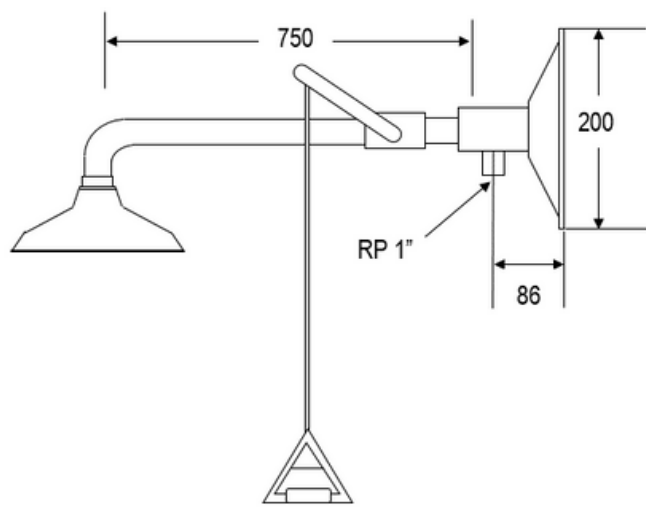


DIMENSION
mm

Wall Mounted Emergency Fully Stainless Steel Shower VAL-SH-S

FEATURES

- Pipe & Fittings : 32mm stainless steel 304
- Shower Bowl : 300mm - 304 stainless steel
- Ball Valve with pull rod
- Water Inlet : RP 1"
- Water pressure : 0.2Mpa - 0.6Mpa



DIMENSION
mm

Bench Mounted Eyewash Station

FEATURES

This eyewash station can be mounted to the countertop or attached to a laboratory sink. The eyewash station has twin spray heads so both eyes can be flushed with a soft flow of water at the same time. The spray heads have filters to protect users from particles in the water. Can be easily activated by a ABS push board.



VAL-BE-10

Bench Mounted Eyewash Sprayer

FEATURES

- Body Material: Brass with high gloss galvanization powder coating, resistant to chemicals, UV and temperature
- Sprayer head with dust cover
- Switch: Trigger on and off
- None-return valve, auto shut off
- Hose: Length 1.5m PVC with stainless steel mesh
- Max. Working pressure: 7Bar



VAL-PE-N01



VAL-PE-N2



HOSE AND FITTINGS



TRIGGER ON AND OFF

Portable Emergency Eyewash Station

Portable eyewash stations are filled with clean tap water . This product can be used in field of Petroleum, Chemical, Laboratory, Medical Treatment etc. and flushing the chemistry liquid sputtered eye and face rapidly, so reduce the level of injury to the minimum. Located near happen accident place, see easily and usage conveniently. Can install on wall or use with go-cart

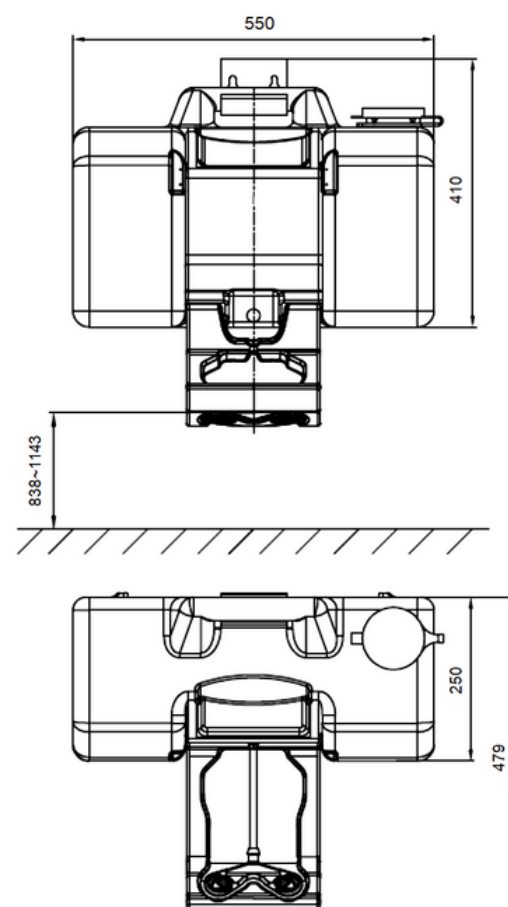
15



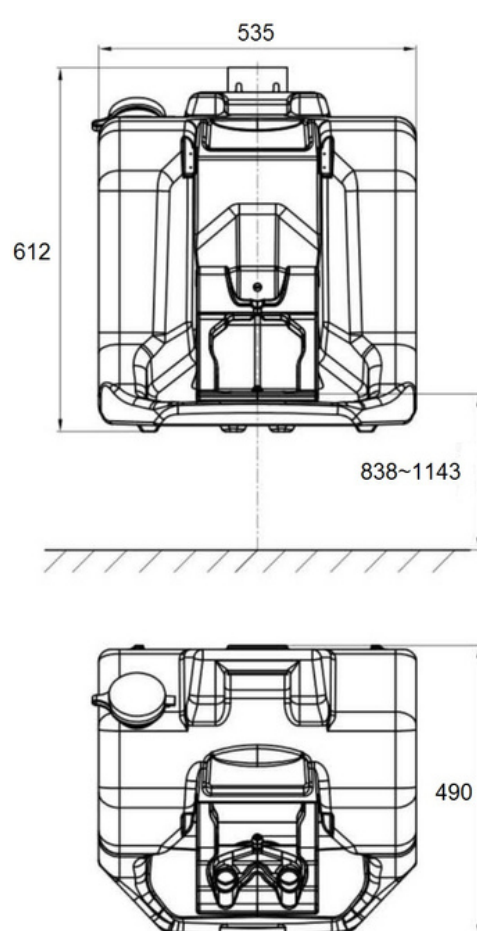
VAL-PE8

8 Gallons / 30 Liters

- Material: High density polyester, pro-environment and safety.
- Capacity: The maximum reserve is 30L(8 gallon), workable is 20L available, ensure flushing for 15 minutes.
- Water injection hole: wide water injection hole and apt to inject water, with dust cover.
- Color: Green.
- Water flow: Due to change diameter on the water hole, so more bonhomie and rich , water yield is not lower than 1.5L/minute.



ValueTech



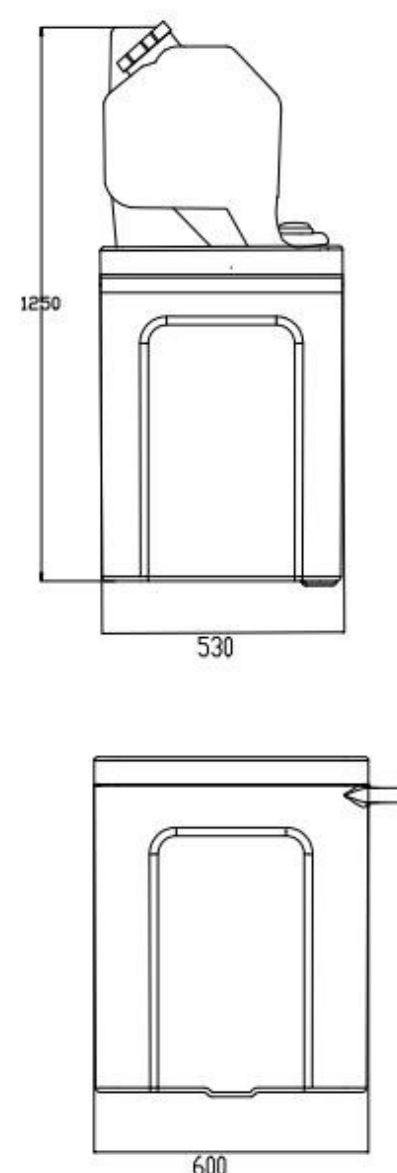
VAL-PE16

16 Gallons / 60 Liters

- Material : High density polyester, pro-environment and safety.
- Capacity: The maximum reserve is 60L(16 gallon), workable is 40L available, ensure flushing for 15 minute.
- Water injection hole: wide water injection hole and apt to inject water, have dust cover.
- Color: Green
- Water flow: Due to change diameter on the water hole, so more bonhomie and enrich , water yield is not lower than 1.5L/minute.

VAL-PE16MC

- Material : High density polyester, pro-environment and safety.
- Capacity: The maximum reserve is 60L(16 gallon), workable is 40L available, ensure flushing for 15 minute.
- Water injection hole: wide water injection hole and apt to inject water, have dust cover.
- Color: Green
- Water flow: Due to change diameter on the water hole, so more bonhomie and enrich , water yield is not lower than 1.5L/minute.
- Waste Cart size:
 - 600L*530W*740H mm
- Provides transportation and waste collection
- drain valve at the bottom of the cart
- 4 castor wheels can be moved according to the site



DRAIN VALVE